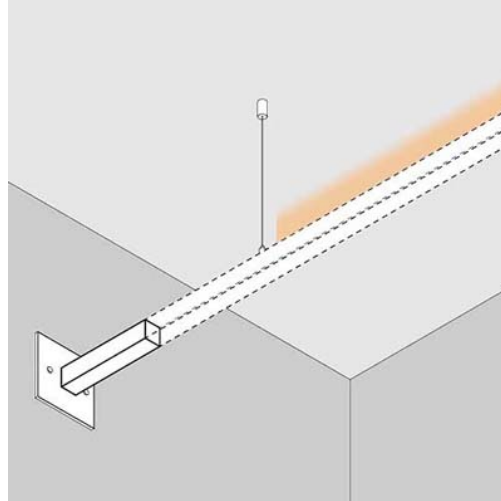


Problem Solver



TAGS

Ceiling has no Power / Concrete
Ambient / general lighting
Living Room
Work Space
Wall (Hard-wired)
Staci Ruiz

■ Ceiling Has No Power

We often hear that new apartments have NO electrical service in the ceiling. The only way to get it there is to drop the ceiling a bit – which can be very expensive or may not work with the design plan. Or of course, one could run an absolutely unacceptable wire molding from a wall outlet to the ceiling. Please don't do that !

Use one of our extrusions and incorporate it into the design of a custom fixture.

Here we made a fixture to access a wall box as though it were a [sconce](#) and then just continued the fixture throughout the space as a [linear pendant](#). The designer had intended to use a track system, but once she understood what we could do instead there was no contest. Problem solved!

Design: [Staci Ruiz](#)

Posted 03/08/2012 Julien Aleksandres